

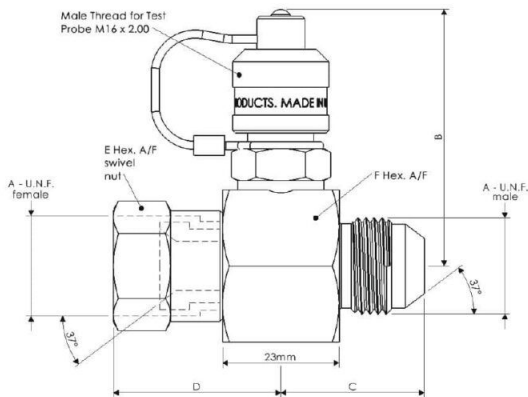


HSP-1040 SERIES HOSE COUPLINGS

HSP-1040 Series Hose Couplings are installed between the female swivelnut of the flexible hose and the fixed male connection. The integrated test point is used to obtain random pressure checks during servicing or fault finding. The test points can be disconnected and connected under full system pressure without fluid loss.

SPECIFICATIONS

- 6000 PSI working pressure
- Can be used with direct or remote test probes
- For JIC 37° hose sizes 7/16" - 1 7/8" ORB
- Viton seals standard



PART NO.	THREAD	B	C	D	E	F	WEIGHT (LB)
HSP-1040-4M-V	7/16" - 20	2.01	1.00	1.22	.56	1.13	.28
HSP-1040-5M-V	1/2" - 20	2.01	1.00	1.30	.62	1.13	.29
HSP-1040-6M-V	9/16" - 18	2.01	1.01	1.34	.68	1.13	.32
HSP-1040-8M-V	3/4" - 16	2.01	1.14	1.33	.87	1.13	.33
HSP-1040-10M-V	7/8" - 14	2.14	1.23	1.51	1.00	1.37	.55
HSP-1040-12M-V	1 1/16" - 12	2.14	1.31	1.63	1.25	1.37	.66
HSP-1040-16M-V	1 5/16" - 12	2.30	1.36	1.72	1.50	1.69	.95
HSP-1040-20M-V	1 5/8" - 12	2.61	.95	1.77	2.04	2.00	1.72
HSP-1040-24M-V	1 7/8" - 12	2.98	1.08	1.89	2.20	2.22	1.98

CALL FOR PRICING DETAILS

800.322.9527